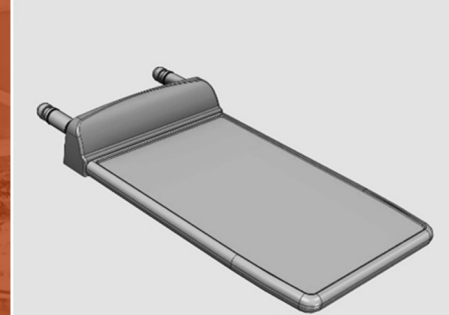
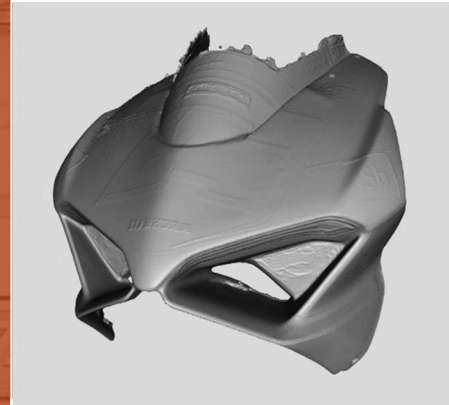
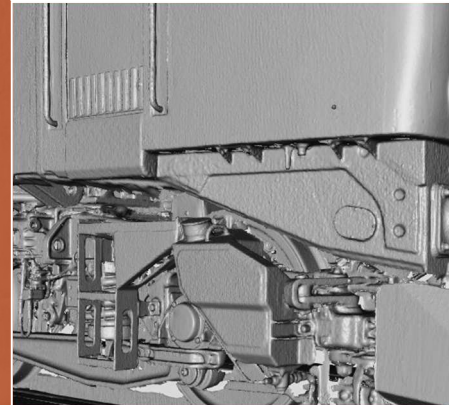
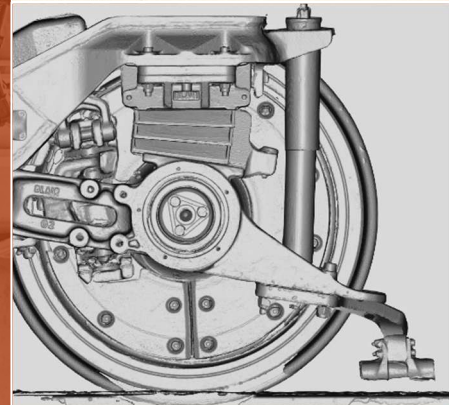
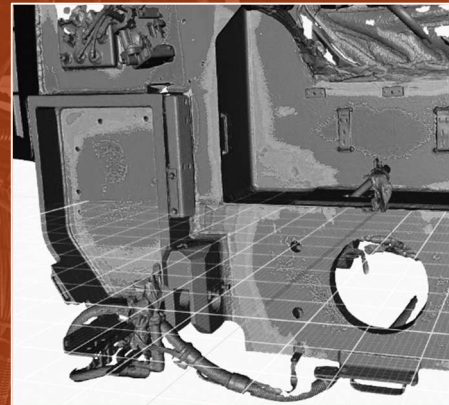


# Akriveia

**ADVANCED 3D SCANNING, REVERSE  
ENGINEERING, CAD MODELLING,  
ENGINEERING SUPPORT AND  
ADDITIVE MANUFACTURING**

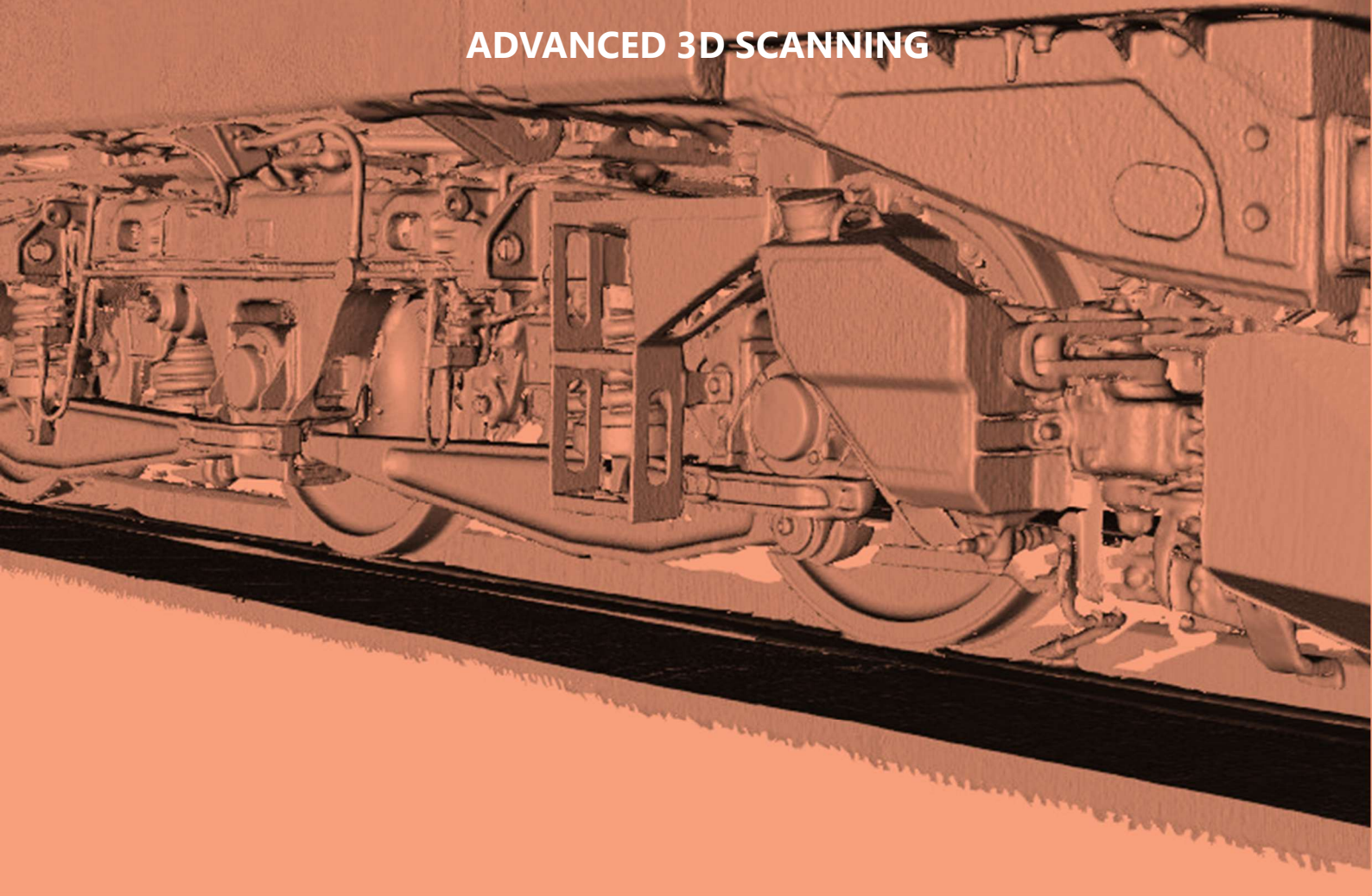
**AT AKRIVEIA WE COMBINE ADVANCED DIGITAL ENGINEERING  
TECHNOLOGIES WITH PRACTICAL INDUSTRY EXPERIENCE TO  
DELIVER ACCURATE, EFFICIENT AND INNOVATIVE  
ENGINEERING SOLUTIONS.**

**FROM PRECISION SCANNING OF SMALL COMPONENTS  
THROUGH TO FULL ROLLING STOCK SURVEYS, WE HELP  
ORGANISATIONS CAPTURE, DEVELOP AND MANUFACTURE  
WITH CONFIDENCE.**





## ADVANCED 3D SCANNING



AKRIVEIA PROVIDES PROFESSIONAL 3D SCANNING SERVICES FOR PROJECTS RANGING FROM INTRICATE MECHANICAL COMPONENTS THROUGH TO COMPLETE VEHICLES AND LARGE-SCALE RAIL ASSETS. USING ADVANCED SCANNING TECHNOLOGY, WE CAPTURE HIGHLY ACCURATE DIGITAL DATA QUICKLY AND EFFICIENTLY, HELPING CLIENTS REDUCE DOWNTIME WHILE ACCELERATING INSPECTION, DEVELOPMENT AND ENGINEERING PROCESSES.

OUR 3D SCANNING CAPABILITY SUPPORTS A WIDE RANGE OF ENGINEERING AND PROBLEM-SOLVING APPLICATIONS ACROSS RAIL, MOTORSPORT AND INDUSTRIAL SECTORS. FROM GEOMETRY VERIFICATION AND CRASH DAMAGE ASSESSMENT THROUGH TO REVERSE ENGINEERING AND ASSET OBSOLESCENCE SUPPORT, ACCURATE DIGITAL CAPTURE ENABLES FASTER DECISION MAKING, IMPROVED ENGINEERING ACCURACY AND MORE EFFICIENT PROJECT DELIVERY.

**AKRIVEIA ARE ABLE TO SUPPORT EVERY STEP OF THE WAY**

A 3D scan of a mechanical assembly, possibly a large metal component or a piece of machinery, with a grid overlay. The scan is rendered in a dark, monochromatic color scheme. The grid lines are visible across the surface of the object, indicating the digital representation of the physical part. The object has various features, including a large circular opening and several smaller holes and protrusions.

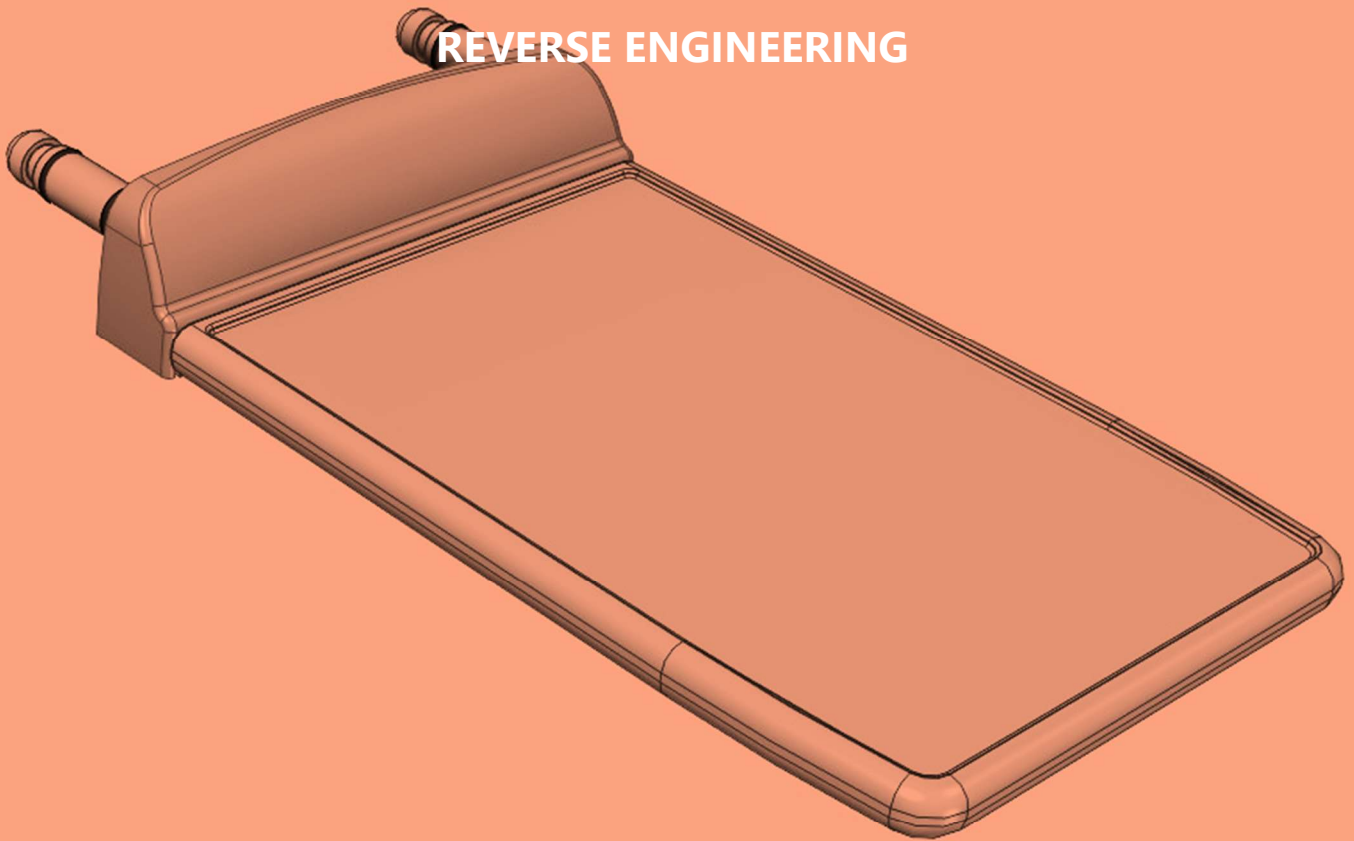
# Akriveia

## CAD MODELLING & ENGINEERING SOLUTIONS

3D SCANNING PROVIDES A FAST, ACCURATE AND HIGHLY EFFECTIVE METHOD OF CAPTURING REAL-WORLD DATA TO SUPPORT ENGINEERING ANALYSIS AND PROBLEM SOLVING. BY GENERATING PRECISE DIGITAL REPRESENTATIONS OF COMPONENTS, ASSEMBLIES AND LARGE-SCALE ASSETS, AKRIVEIA SUPPORTS CLIENTS IDENTIFYING ISSUES QUICKLY, REDUCING MANUAL MEASUREMENT TIME AND MAKING INFORMED ENGINEERING DECISIONS WITH CONFIDENCE. WHETHER ASSESSING DAMAGED STRUCTURES, VALIDATING MANUFACTURED PARTS OR ANALYSING COMPLEX GEOMETRIES, 3D SCANNING DELIVERS RELIABLE DATA THAT SUPPORTS EFFICIENT PROJECT DELIVERY AND IMPROVED ENGINEERING ACCURACY.

COMBINED WITH CAD MODELLING AND ENGINEERING EXPERTISE, SCAN DATA CAN BE TRANSFORMED INTO ACTIONABLE ENGINEERING SOLUTIONS ACROSS A WIDE RANGE OF INDUSTRIES. FROM INSPECTION AND VALIDATION THROUGH TO WEAR ANALYSIS, DEFORMATION ASSESSMENT AND PERFORMANCE DEVELOPMENT, AKRIVEIA HELPS CLIENTS UNDERSTAND EXISTING CONDITIONS, IDENTIFY DEVIATIONS AND DEVELOP EFFECTIVE CORRECTIVE SOLUTIONS.

[AKRIVEIA.CO.UK](http://AKRIVEIA.CO.UK) | [ENQUIRIES@AKRIVEIA.CO.UK](mailto:ENQUIRIES@AKRIVEIA.CO.UK) | 07917 786644



REVERSE ENGINEERING ALLOWS PHYSICAL COMPONENTS AND ASSEMBLIES TO BE TRANSFORMED INTO ACCURATE, FULLY EDITABLE DIGITAL ENGINEERING DATA. USING ADVANCED 3D SCANNING AND CAD RECONSTRUCTION TECHNIQUES, AKRIVEIA SUPPORTS PRODUCT REDEVELOPMENT, OBSOLETE PART RECREATION, MANUFACTURING RECOVERY AND PERFORMANCE-FOCUSED ENGINEERING IMPROVEMENTS ACROSS RAIL, INDUSTRIAL AND MOTORSPORT APPLICATIONS.

OBSOLETE PART RECREATION

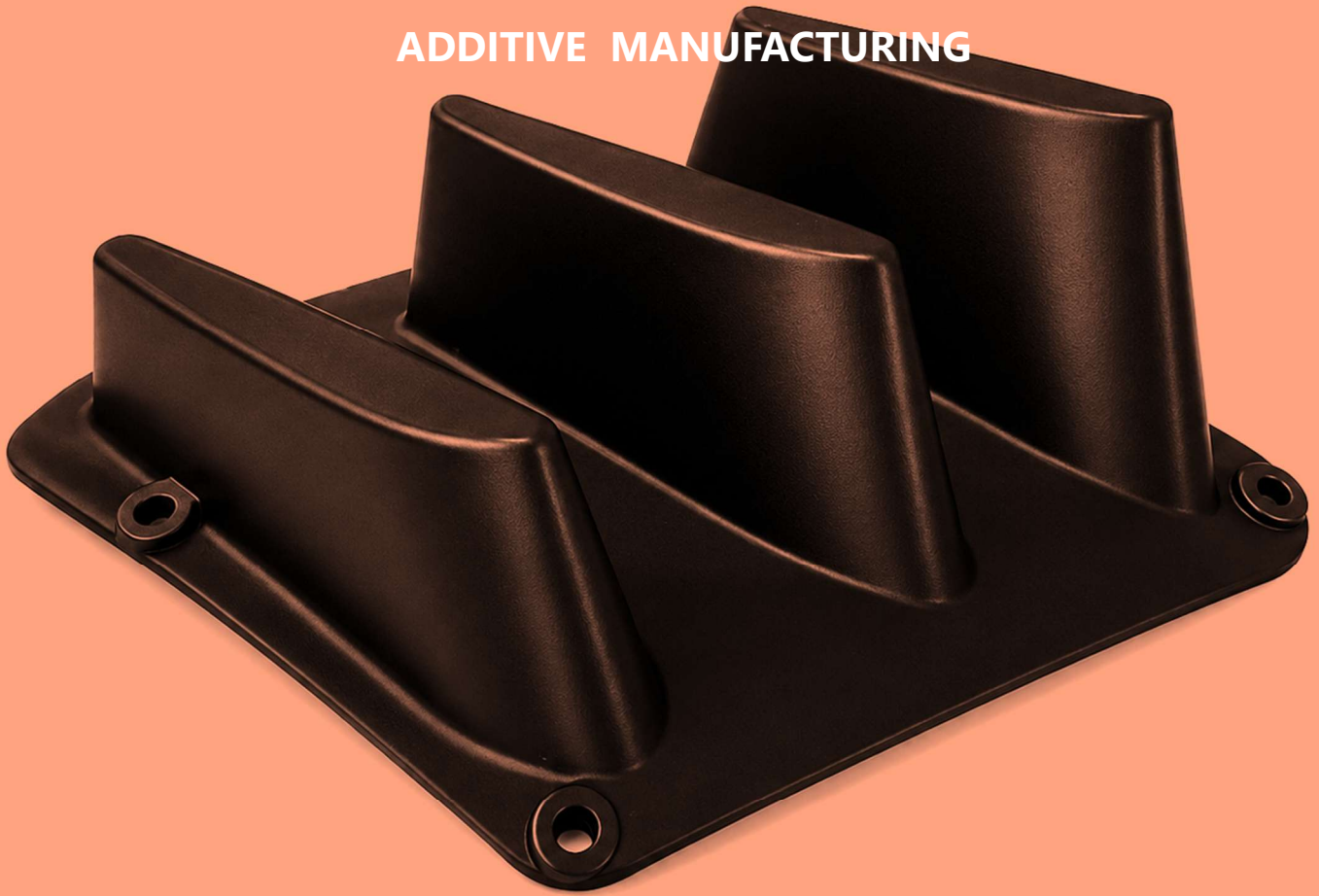
ASSET DIGITISATION

DESIGN RECOVERY

REDESIGN & COMPONENT IMPROVEMENTS

# Akriveia

## ADDITIVE MANUFACTURING



AKRIVEIA'S ADDITIVE MANUFACTURING CAPABILITY ENABLES FAST, FLEXIBLE AND COST-EFFECTIVE PRODUCTION OF ENGINEERING COMPONENTS FOR DEVELOPMENT, VALIDATION AND LOW VOLUME APPLICATIONS. BY COMBINING ADVANCED CAD MODELLING WITH MODERN MANUFACTURING TECHNIQUES, WE DELIVER RAPID TURNAROUND SOLUTIONS FOR COMPLEX GEOMETRIES, BESPOKE COMPONENTS AND PERFORMANCE-FOCUSED ENGINEERING PROJECTS ACROSS RAIL, INDUSTRIAL AND MOTORSPORT SECTORS.

RAPID PROTOTYPING

LOW VOLUME MANUFACTURING

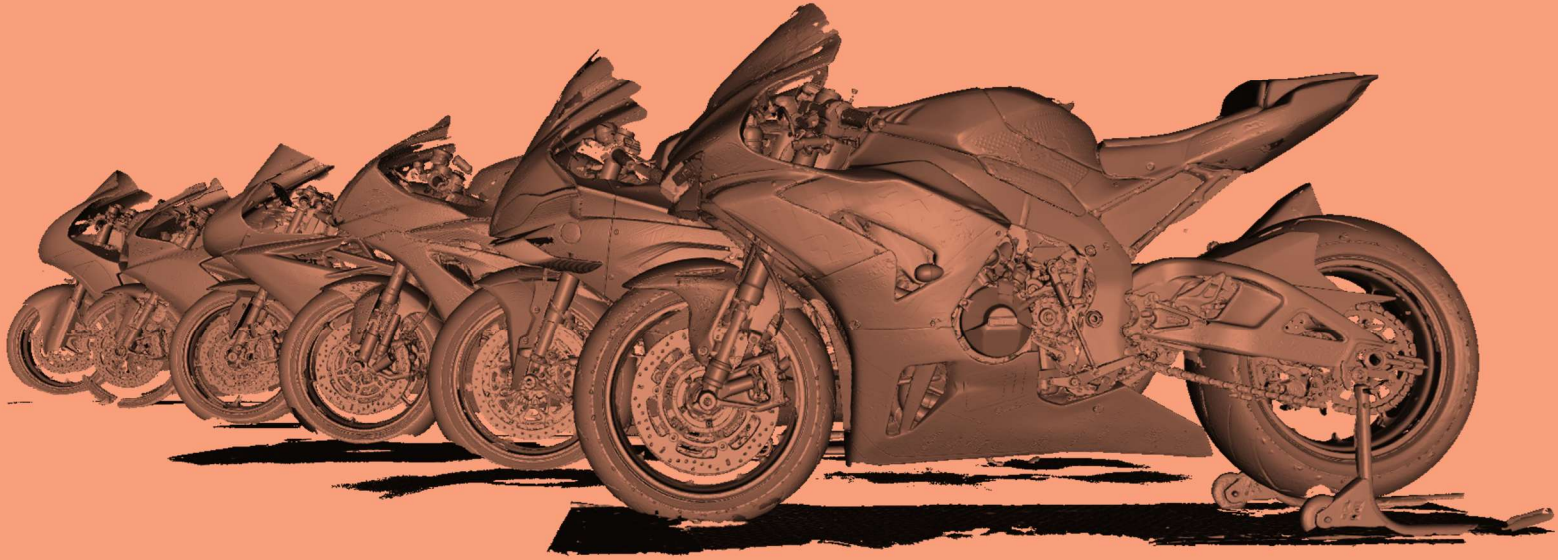
ON-DEMAND PART PRODUCTION

COMPLEX GEOMETRY MANUFACTURE

RAIL APPROVED COMPONENTS

# Akriveia

IF IT STARTS WITH A SCAN, START WITH AKRIVEIA



AKRIVEIA DELIVERS ADVANCED DIGITAL ENGINEERING SOLUTIONS ACROSS RAIL, MOTORSPORT, AUTOMOTIVE AND CONSTRUCTION SECTORS, COMBINING PRECISION 3D SCANNING, REVERSE ENGINEERING, CAD DEVELOPMENT AND ADDITIVE MANUFACTURING INTO A COMPLETE ENGINEERING WORKFLOW.

FROM INITIAL DATA CAPTURE THROUGH TO FINAL ENGINEERED SOLUTION, WE PROVIDE ACCURATE, RESPONSIVE AND PROFESSIONAL SUPPORT TAILORED TO COMPLEX ENGINEERING CHALLENGES.

**AKRIVEIA.CO.UK**  
**ENQUIRIES@AKRIVEIA.CO.UK**  
**07917 786644**

